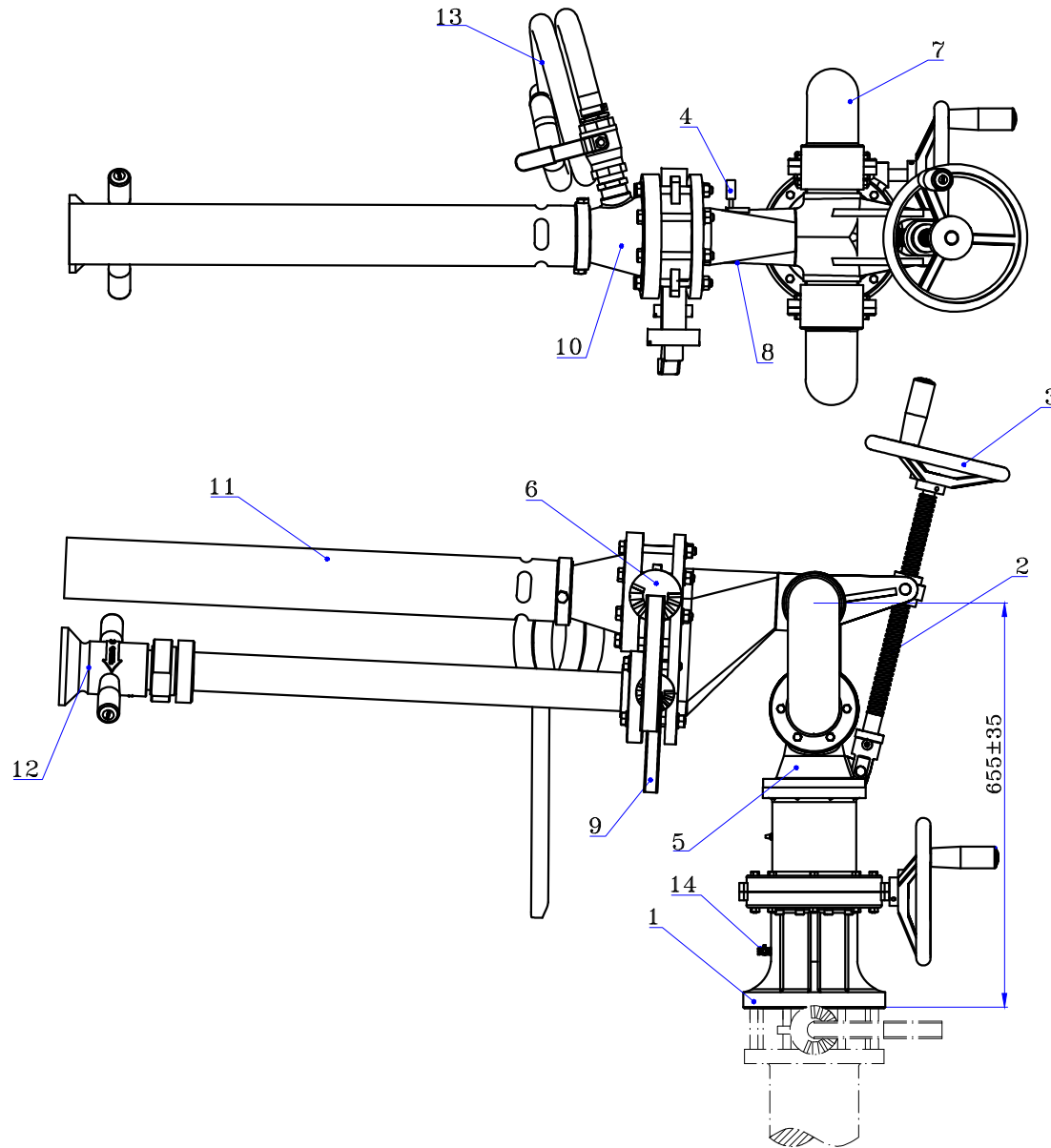



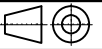
No.	Part Name	MATERIAL
1	4" INLET FLANGE	AL-BRONZE
2	STEM	STINLESS STEEL
3	HAND WHEEL	AL
4	GAUGE	0-16 BAR
5	3- WAY	AL-BRONZE
6	BUTTERFLY VALVE 3"	D.CAST IRON
7	ELBOW	AL-BRONZE
8	BODY	AL-BRONZE
9	BUTTERFLY VALVE 2"	D.CAST IRON
10	INDUCTOR	AL-BRONZE
11	FOAM NOZZLE	STINLESS STEEL
12	WATER NOZZLE NM1	GUNMETAL
13	PICK-UP TUBE	
14	AUTO DRAIN VALVE 1/4"	BRASS



NORMAL PRESSURE: 10 BAR
TEST PRESSURE: 21 BAR

INLET CONNECTION: 4" FLANGE # 150 F.F.

PAINTING:
FIRST LAYER ZINC RICH EPOXY AVERAGE 40 Mic
INTER MEDIATE LAYER EPOXY AVERAGE 40 Mic
TOP COAT EPOXY AVERAGE 40 Mic (RAL 3020)

NOTE: MONITOR MODEL:TR-WFM1					 I.T.E
Date	Design	Drawn	Checked	REV.	
91/02/11		F.Soheili	H.Khaleghi	0	 TOL.: DIN-7168m Size: A4 Scale: —
Part Name: TOTAL			Drawing No: WFM1-001		Sheet: 1 Of 1
Material: AS ABOVE CHART			PROJECT: ARVANDAN		QTY.: 16